

NOTE:
ALLOW 20% ADDITIONAL MINIMUM FOR WITH THE GEOTEXTILE AND REINFORCING GEOGRID TO ALLOW FOR OVERLAP AND CUTTING REQUIREMENTS.

STRUCTURAL ENGINEER'S NOTE:
CBR OF FORMATION LEVEL TO BE APPROVED BY ENGINEER.

1200X1200MM METAL TREE GRILLE / RESIN BOUND SURFACING (REFER TO LANDSCAPE DWGS FOR LOCATIONS) WITH STEEL SUPPORT FRAME (INCLUDING INTEGRATION OF IRRIGATION) AS PER LANDSCAPE ARCHITECT'S SPECIFICATION

GALVANISED TREE GRILLE SUPPORT FRAME SET IN CONCRETE HAUNCH

DOUBLE INLET AERATION SYSTEM WITH CAST INLETS

ROOT DIRECTOR

GUY STRAPPED ANCHOR SYSTEM - LARGE

PLASTIC OPEN REINFORCING MESH, 20MM APERTURE LAID BELOW AND ALONG SIDES OF CELLS STRUCTURE AS PER INSTALLATION INSTRUCTIONS

150MM DIA. UPVC PERFORATED DRAINAGE PIPE AT 1:100 FALL

CENTRE OF TREE TRUNK

DOUBLE INLET AERATION SYSTEM WITH CAST INLETS

DOUBLE INLET AERATION SYSTEM WITH CAST INLETS

DOUBLE INLET AERATION SYSTEM WITH CAST INLETS



CELL STRUCTURES AND ROOT DIRECTOR FILLED WITH SPECIALIST URBAN TREE SOIL (INCLUDING ROOT BALL VOLUME) ALLOW 5 CU.M PER TREE. ADDITIONAL ALLOWANCE NEEDS TO BE MADE FOR SETTLEMENT.

SINGLE INLET IRRIGATION SYSTEM WITH CAST INLET

FOOTPATH / ROAD CONSTRUCTION

TWINWALL GEONET LAID OVER CELL STRUCTURES

CELL STRUCTURE - 2 MODULES DEEP X 10 MODULES ACROSS X 4 MODULES WIDE (1 X 2 X 2 MODULE VOID BELOW ROOT DIRECTOR) LOADED WITH SOIL. CELL SIZE: 500 X 500 X 250MM CELL SPECIFICATION TO BE SPECIFIED BY CIVIL ENGINEER BASED ON LOADING REQUIREMENTS I.E. PEDESTRIAN / VEHICLE LOADING

200MM MINIMUM DEPTH DRAINAGE LAYER INCORPORATING DRAINAGE PIPE. DRAINAGE LAYER AS PER INSTALLATION INSTRUCTIONS

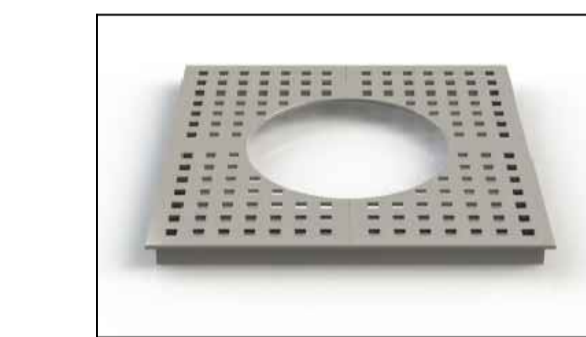
ADDITIONAL TWINWALL GEONET TO BE LAID TO BASE OF CELL STRUCTURES AS PER INSTALLATION INSTRUCTIONS AND ENGINEER'S SPECIFICATION



ROAD KERB REFER TO CIVIL ENGINEER'S DETAILS

ROAD CONSTRUCTION REFER TO CIVIL ENGINEER'S DETAILS

KERBS WITHOUT HAUNCHING TO THE REAR ARE TO BE DOWELLED VERTICALLY INTO THE HAUNCH AND HORIZONTALLY INTO ADJACENT KERBS. 2 No. VERTICAL DOWELS & 2 No. HORIZONTAL DOWELS PER KERB. DOWELS TO BE 200mm LONG AND 12mm WIDE. CONTRACTOR TO PROVIDE METHOD STATEMENT TO INSTALL VERTICAL AND HORIZONTAL DOWELS.



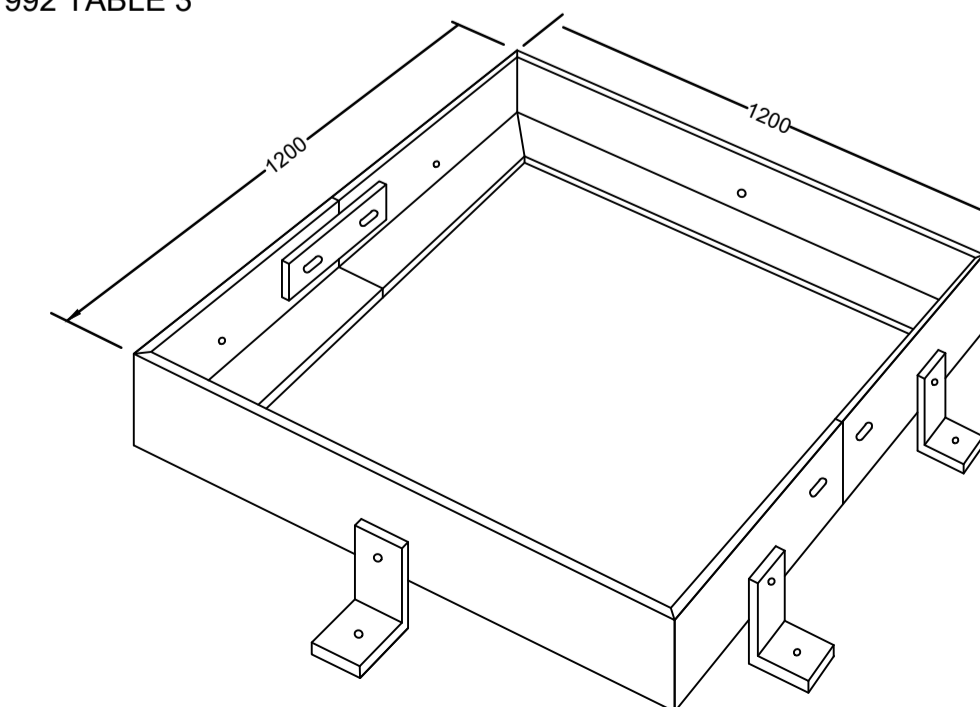
TREE GRILLE



STEEL FRAME (RESIN BOUND INFILL)

TREE GRILLES ARE TO BE INSTALLED THROUGHOUT THE LANDSCAPE PROPOSALS EXCEPT FOR TREES WHICH ARE ADJACENT TO THE ROADWAY WHERE METAL TREE FRAME AND RESIN BOUND INFILL IS TO BE INSTALLED

FRAME
1.20 X 1.20M STAINLESS STEEL FRAME, 50 X 50MM 'L' SHAPE PROFILE FRAME WELDED TO 6 NO. 50 X 50MM S/S LOGS WITH 6MM Ø HOLES, FIXED TO CONCRETE PAD WITH S/S BOLTS. LOGS ARE NOT VISIBLE. FRAME MADE FROM 2NO. 'U' SHAPE PIECES JOINTED WITH 2NO. S/S FLAT BARS WITH EXPANDABLE SLOTS (± 20MM RESIN BOUND: 50MM DEPTH OF 6-12MM ARBORESIN POROUS TREE SURFACE LAID ON TOP OF 50MM DEPTH OF 40-5MM FREE DRAINING CRUSHED STONE SUB-BASE TO BS882:1992 TABLE 3



EXTENT OF CELL STRUCTURES

FOOTPATH PAVING AS PER CIVIL ENGINEER'S SPECIFICATION

PROJECT

DONORE PROJECT,
DONORE AVENUE,
DUBLIN 8.

CLIENT

THE LAND DEVELOPMENT AGENCY

CONSULTANT

AECOM
4th Floor Adelphi Plaza,
George's Street Upper,
Dun Laoghaire,
Co Dublin
Tel: +353 (0)1 696-6220
www.aecom.com

NOTES

- THIS DRAWING IS TO BE READ IN CONJUNCTION WITH ALL OTHER RELEVANT ARCHITECTURAL AND ENGINEERING DRAWINGS. ANY DISCREPANCIES, ERRORS OR OMISSIONS TO BE BROUGHT TO THE ATTENTION OF THE DESIGNER.
- ALL DIMENSIONS TO BE CHECKED BY THE CONTRACTOR ON SITE PRIOR TO COMMENCEMENT OF WORKS.
- AECOM LIMITED TO BE INFORMED BY THE CONTRACTOR OF ANY DISCREPANCIES PRIOR TO THE COMMENCEMENT OF WORKS ON SITE.
- DIMENSIONS OF ALL BOUNDARIES AND ADJOINING ROADS TO BE CHECKED ON SITE PRIOR TO COMMENCEMENT OF WORKS.
- FOR WATERMAIN LAYOUT REFER TO DRAWING STG-AEC-S1b-00-00-DR-C-0002700.
- FOR DRAINAGE LAYOUT REFER TO DRAWING STG-AEC-S1b-00-00-DR-C-0000501.

ISSUE/REVISION

NO.	DATE	DESCRIPTION
P1	DEC 2022	ISSUED FOR PLANNING
I/R	DATE	DESCRIPTION

PROJECT NUMBER

60648061

SHEET TITLE

LANDSCAPE DETAILS
SHEET 1 OF 6

SHEET NUMBER

STG-AEC-S1b-00-00-DR-L-0004001

This drawing has been prepared for the use of AECOM's client. It may not be used, modified, reproduced or relied upon by third parties, except as agreed by AECOM or as required by law. AECOM accepts no responsibility, and denies any liability, whatsoever, to any party that uses or relies on this drawing without AECOM's express written consent. Do not scale this document. All measurements must be obtained from the stated dimensions.